

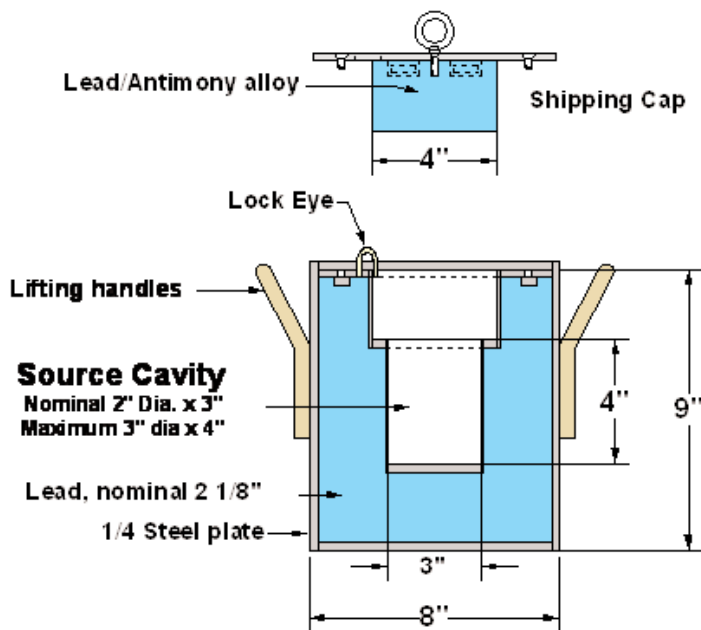
Model SC809G Gamma Shipping Cask

The Model SC809G is a storage and shipping cask used for transporting gamma sources. Key features make this shield convenient to use, yet safe and rugged.



Key Features

- Lead shielding offers high radiation protection with only moderate weight.
- Lid screws on to ensure closure. Locking hasp prevents unauthorized use.
- Lifting handles assist with shield manipulation.
- Large cavity provides extra flexibility for sources and holders.
- Built with 1/4" steel.



**Cross Section
SC809G**

Specifications

Primary Use	Shipping gamma sealed sources	
Size	8" diameter x 9.25" tall - Custom sizes on request	
	Standard	Optional
Cavity	2" dia. x 3"	3" dia. x 4"
Shielding	3" Lead	2.5" Lead
Max. Source	50 Ci	20 Ci
Weight	175 Lbs., 79.5 kg	
Finish	Painted steel	
Labeling	Serial number and DOT 7A label, stainless steel	
Seal	Lid with screws, padlock	
Certification	U.S. DOT Type A shipping cask	

Systems and solutions for irradiation applications, X-Ray inspection, positioning equipment, and radiation shielding.

We offer a wide range of standard products and custom designs to match your specific requirements.

Call today to see how we can help.

Hopewell Designs, Inc.

5940 Gateway Drive • Alpharetta, GA 30004

(770) 667-5770 • FAX 667-7539

www.HopewellDesigns.com